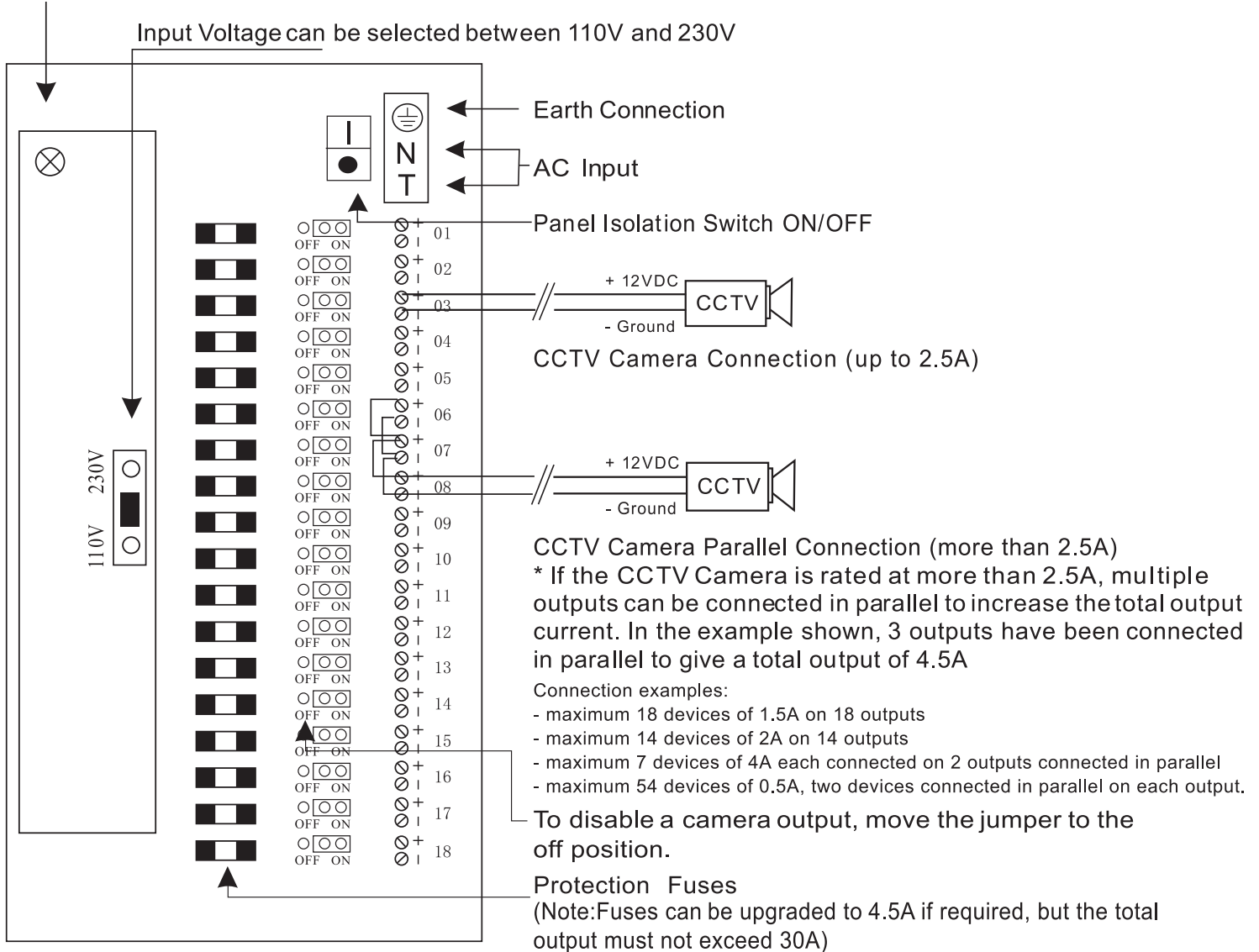


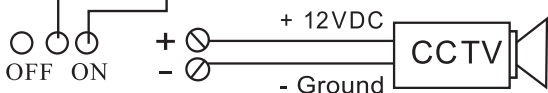
PNI STC30A CCTV power supply 12VDC 30A 18 outputs

Connection Diagram:

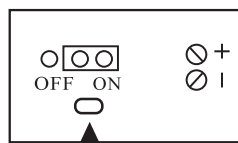
Output DC Voltage Adjustment



Test & Measurement:



To determine the current(A) of a CCTV camera remove the jumper link, set your meter to $\overline{\text{A}}$ A/ Amps DC, and with the camera connected measure the current across the ON and COMMON terminals.



LED Fuse Status Indicator
 LED ON = Fuse OK
 LED OFF = Fuse Fault

Specifications:

Input Voltage: AC100~120V
 AC220~240V

Output Current: 18x2.5A fused outputs (30A max)

Output Power: 600W

Dimensions(mm): 320(L) x 260(W) x 80(H)

* For Indoor Use Only

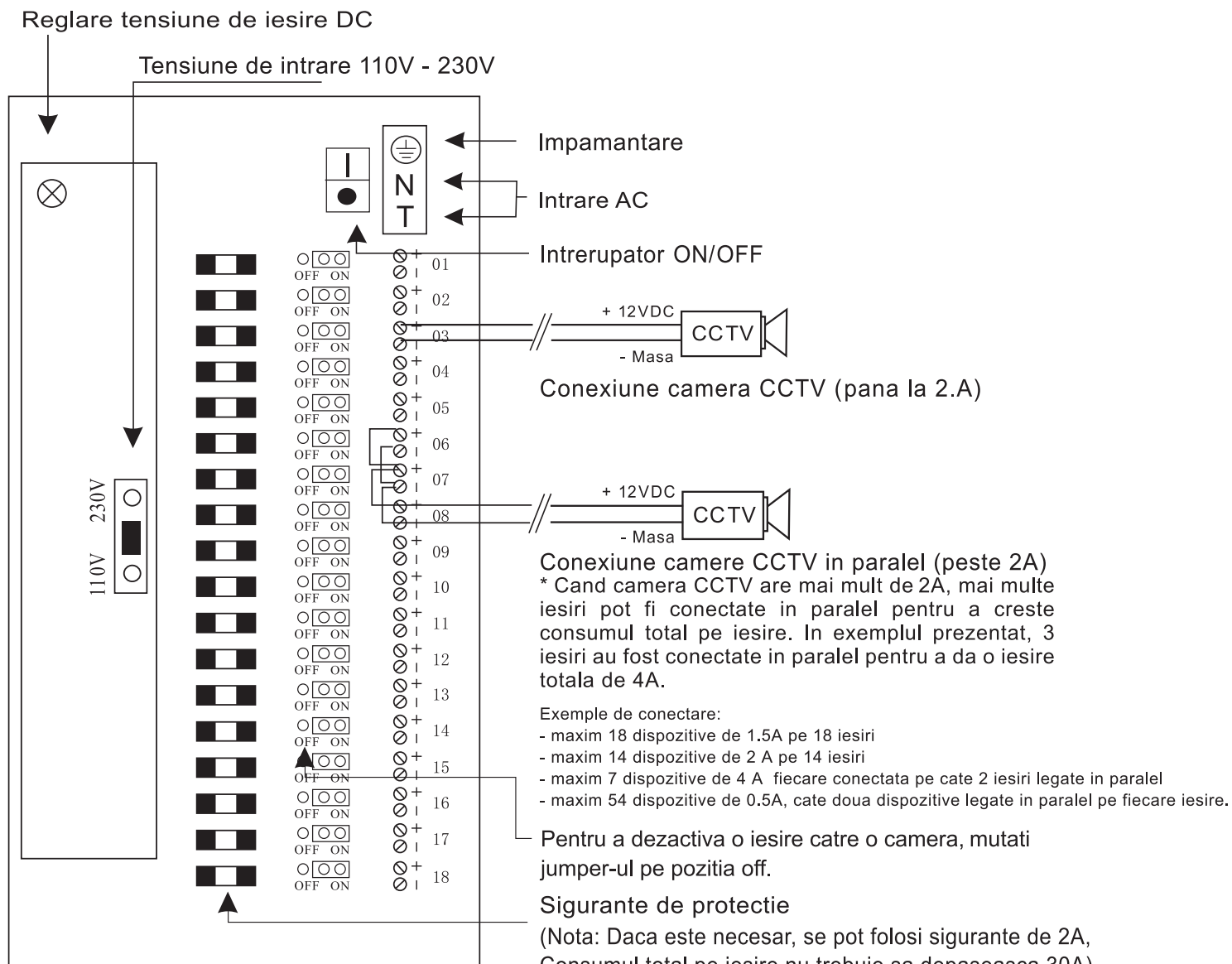
EU Simplified Declaration of Conformity

SC ONLINESHOP SRL declares that **PNI STC30A CCTV power supply** complies with the Directive EMC 2014/30/EU and LVD 2014/35/EU. The full text of the EU declaration of conformity is available at the following Internet address:

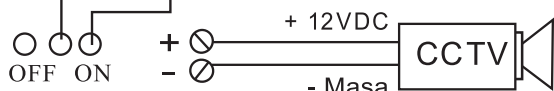
<https://www.mypni.eu/products/7631/download/certifications>

Sursa alimentare CCTV PNI STC30A 12VDC 30A 18 iesiri

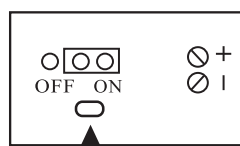
Diagrama conexiuni:



Testare si masurare:



Pentru a determina curentul (A) consumat de o camera, scoateti jumper-ul, setati aparatul de masura pe A/COM si cu camera conectata, masurati curentul prin terminalele ON si COMMON.



Indicator LED stare siguranta
LED ON = Siguranta OK
LED OFF = Eroare siguranta

Specificatii tehnice:

Tensiune de intrare: AC100~120V
AC220~240V

Curent de iesire: 18 iesiri cu sigurante 2.5A (max. 30A)

Putere de iesire: 600W

Dimensiuni (mm): 320(L) x 260(W) x 80(H)

* Doar pentru montaj la interior

Declaratie UE de conformitate simplificata

SC ONLINESHOP SRL declara ca **Sursa alimentare CCTV PNI STC30A** este in conformitate cu Directiva EMC 2014/30/EU si Directiva LVD 2014/35/EU. Textul integral al declaratiei UE de conformitate este disponibil la urmatoarea adresa de internet:

<https://www.mypni.eu/products/7631/download/certifications>