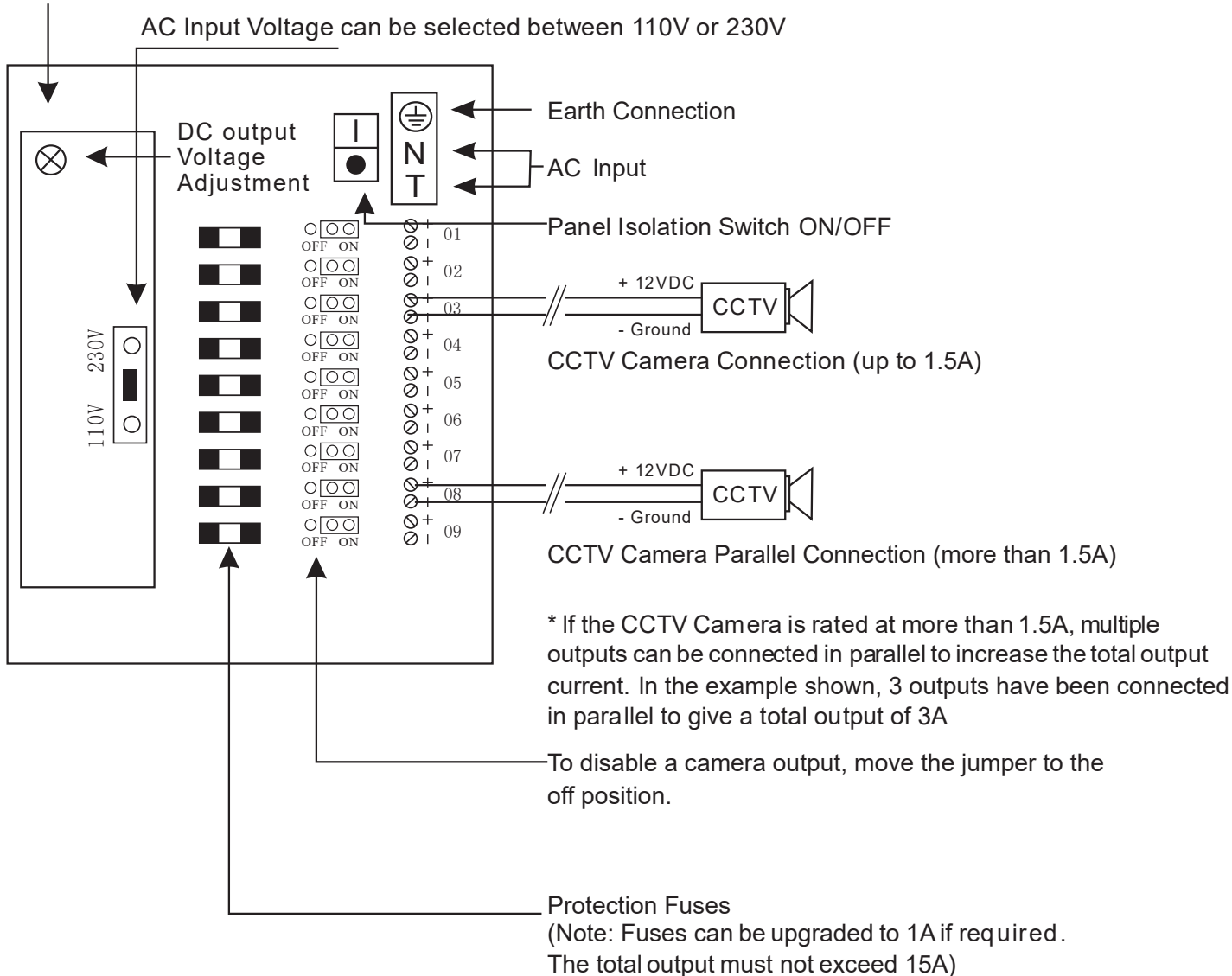


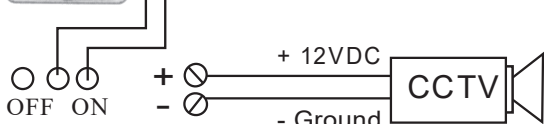
PNI STC15A power supply 12V-15A 9 outputs

Connection Diagram:

Switch Mode Power Supply



Test & Measurement:

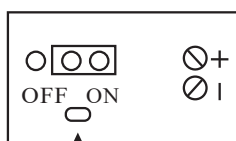


To determine the current(A) of a CCTV camera remove the jumper link, set your meter to $\overline{\text{A}}$ / Amps DC, and with the camera connected measure the current across the ON and COMMON terminals.

EU Simplified Declaration of Conformity

SC ONLINESHOP SRL declares that **PNI STC15A CCTV power supply** complies with the Directive EMC 2014/30/EU and LVD 2014/35/EU. The full text of the EU declaration of conformity is available at the following Internet address:

<https://www.mypni.eu/products/7629/download/certifications>



LED Fuse Status Indicator
LED ON = Fuse OK
LED OFF = Fuse Fault

Specifications:

Input Voltage: AC100~120V
AC220~240V

Output Current: 9X1.5A fused outputs (15A max)

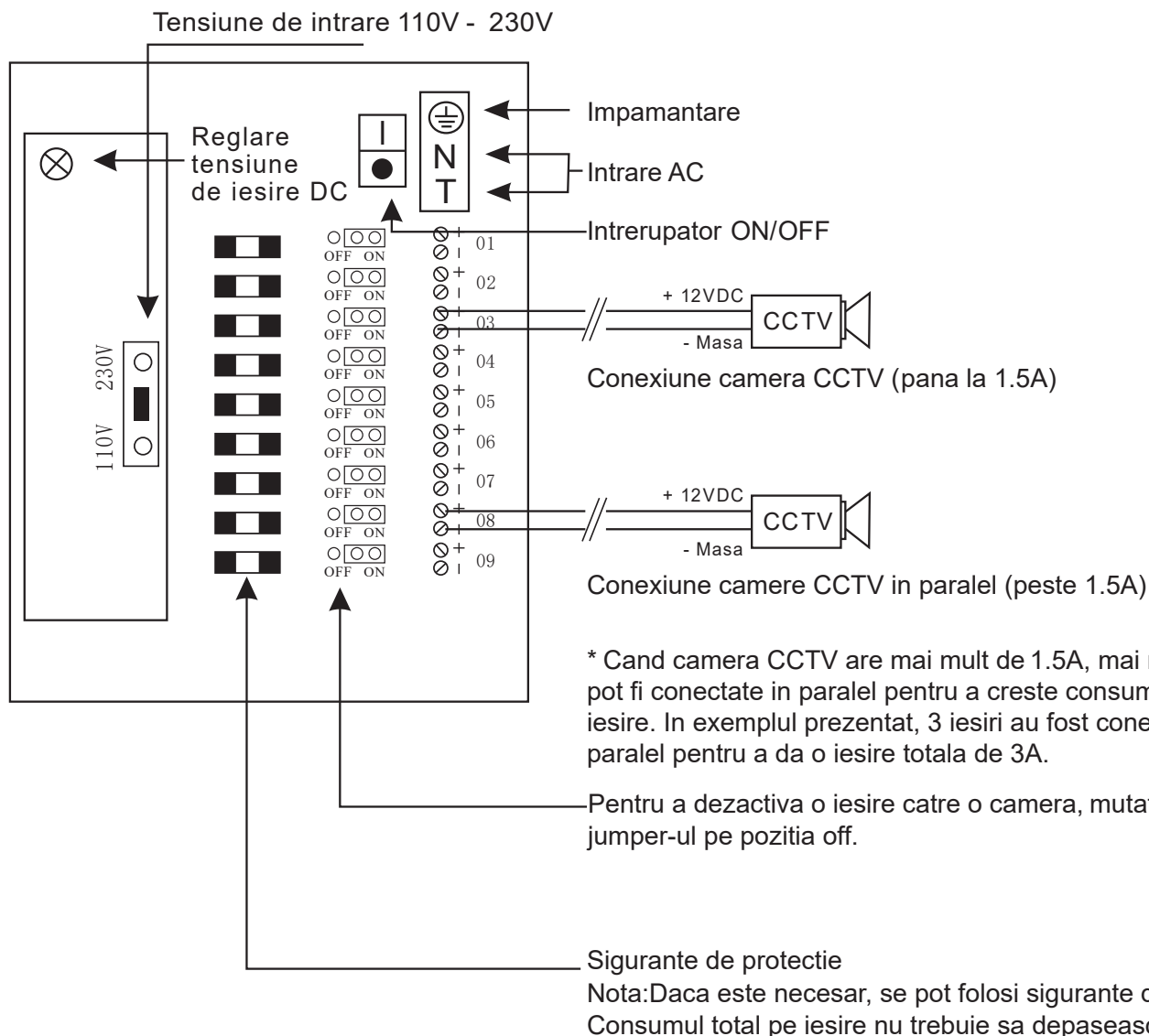
Output Power:180W

Dimensions(mm): 240(L)X210(W)X65(H)

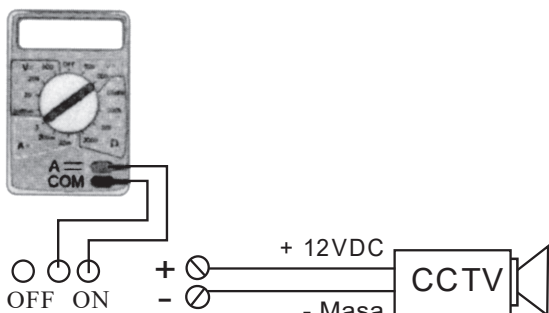
* **For Indoor Use Only**

Sursa alimentare CCTV PNI STC15A 12V-15A 9 iesiri

Diagrama conexiuni:



Testare si masurare:

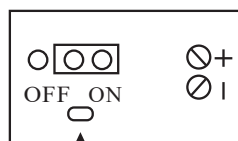


Pentru a determina curentul (A) consumat de o camera, scoateti jumper-ul, setati aparatul de masura pe A/Amps DC , si cu camera conectata, masurati curentul prin terminalele ON si COMMON.

Declaratie UE de conformitate simplificata

SC ONLINESHOP SRL declara ca **Sursa alimentare CCTV PNI STC15A** este in conformitate cu Directiva EMC 2014/30/EU si Directiva LVD 2014/35/EU. Textul integral al declaratiei UE de conformitate este disponibil la urmatoarea adresa de internet:

<https://www.mypni.eu/products/7630/download/certifications>



Indicator LED status siguranta
LED ON = Siguranta OK
LED OFF = Eroare siguranta

Specificatii tehnice:

Tensiune de intrare: AC100~120V
AC220~240V

Curent de iesire:9 iesiri cu sigurante 1.5A (max. 15A)

Putere de iesire:180W

Dimensiuni (mm): 240(L)X210(W)X65(H)

* **Doar pentru montaj la interior**